

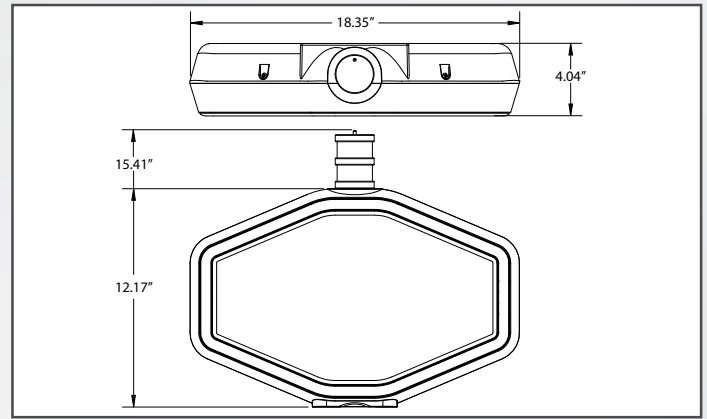
# RGB POLYGON TOPPER



- Great for drawing increased attention to your Hot New or top earning machines
- Completely backlit by 3 High Powered white LED's that have a high Color Rendering Index (CRI) to make your graphics look outstanding
- Translucent bezel contains 48 ultra bright Nichia RGB LED's for a multi-colored light show
- Includes 2 Tier tower light with color foils - Pink(1), Purple(1), Teal(1), Std. Blue(2), Std. Green(1), Orange(1), Red(1), Yellow(1) and White(1)
- Pre-programmed with 10 unique flashing patterns and 7 different color combinations
- Requires +12vdc (3 Amps)
- Body is constructed of black UL-94 V0 flame resistant plastic
- Four different mounting bases available (sold separately) - Flat, Round, Slant and Arc
- Base harness and power supply are both sold separately
- Artwork panel not included
- USB Version available for Replacement use on IGT Games
  - To be plugged into IGT host for complete game control of unique colors and flashing patterns sent from USB host



Pictured with Mounting Base (Sold Separately)



Part Number	Description
95-2852-00	RGB Polygon Topper
91440000	RGB Polygon Topper - USB Version Replacement for use on IGT Games

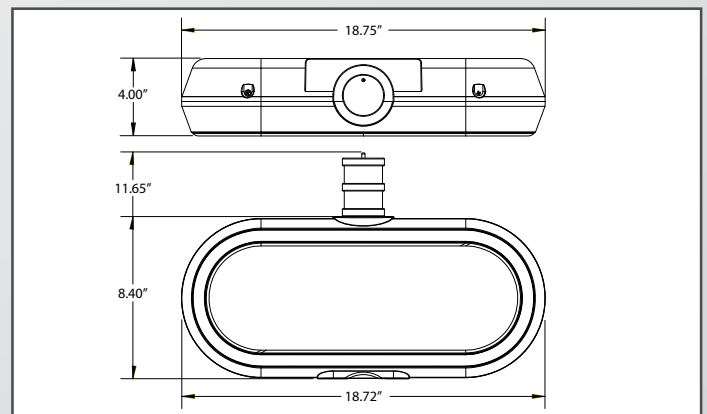
# RGB PILL TOPPER



- Great for drawing increased attention to your Hot New or top earning machines
- Completely backlit by 3 High Powered white LED's that have a high Color Rendering Index (CRI) to make your graphics look outstanding
- Translucent bezel contains 44 ultra bright Nichia RGB LED's for a multi-colored light show
- Includes 2 Tier tower light with color foils - Pink(1), Purple(1), Teal(1), Std. Blue(2), Std. Green(1), Orange(1), Red(1), Yellow(1) and White(1)
- Pre-programmed with 10 unique flashing patterns and 7 different color combinations
- Requires +12vdc (3 Amps)
- Body is constructed of black UL-94 V0 flame resistant plastic
- Four different mounting bases available (sold separately) - Flat, Round, Slant and Arc
- Base harness and power supply are both sold separately
- Artwork panel not included
- USB Version available for Replacement use on IGT Games
  - To be plugged into IGT host for complete game control of unique colors and flashing patterns sent from USB host



Pictured with Mounting Base (Sold Separately)



Part Number	Description
95-2850-00	RGB Pill Topper
91440100	RGB Pill Topper - USB Version Replacement for use on IGT Games

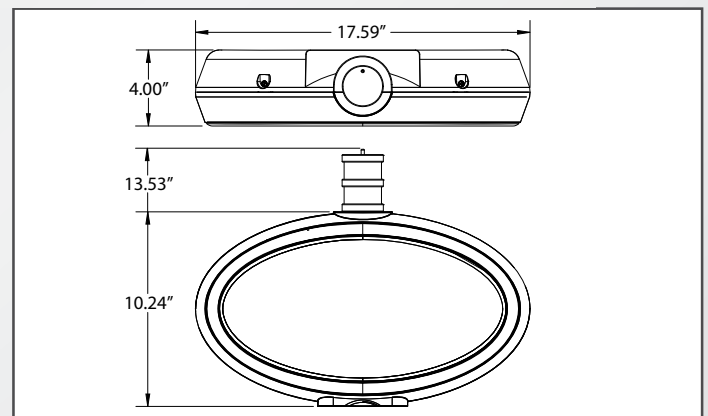
# RGB OVAL TOPPER



- Great for drawing increased attention to your Hot New or top earning machines
- Completely backlit by 3 High Powered white LED's that have a high Color Rendering Index (CRI) to make your graphics look outstanding
- Translucent bezel contains 40 ultra bright Nichia RGB LED's for a multi-colored light show
- Includes 2 Tier tower light with color foils - Pink(1), Purple(1), Teal(1), Std. Blue(2), Std. Green(1), Orange(1), Red (1), Yellow(1) and White(1)
- Pre-programmed with 10 unique flashing patterns and 7 different color combinations
- Requires +12vdc (3 Amps)
- Body is constructed of black UL-94 V0 flame resistant plastic
- Four different mounting bases available (sold separately) - Flat, Round, Slant and Arc
- Base harness and power supply are both sold separately
- Artwork panel not included
- USB Version available for Replacement use on IGT Games
  - To be plugged into IGT host for complete game control of unique colors and flashing patterns sent from USB host



Pictured with Mounting Base (Sold Separately)



Part Number	Description
95-2861-00	RGB Oval Topper
91440200	Oval Topper - USB Version Replacement for use on IGT Games

## ACCESSORIES FOR RGB POLYGON, PILL & OVAL TOPPERS



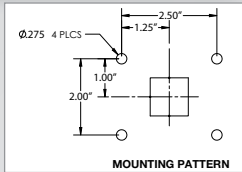
Base Harness



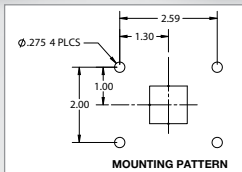
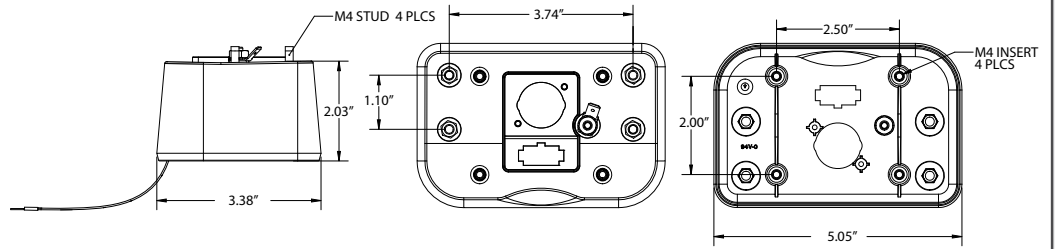
Power Supply

Part Number	Description
95-2866-00	Base Harness for RGB Polygon, Pill and Oval Toppers
80-0071-00	+12vdc 3A Power Supply with GSA 4-Pin Connector For use with RGB Polygon, Pill and Oval Toppers, Flat

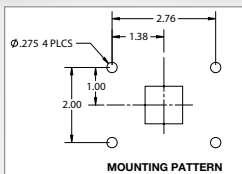
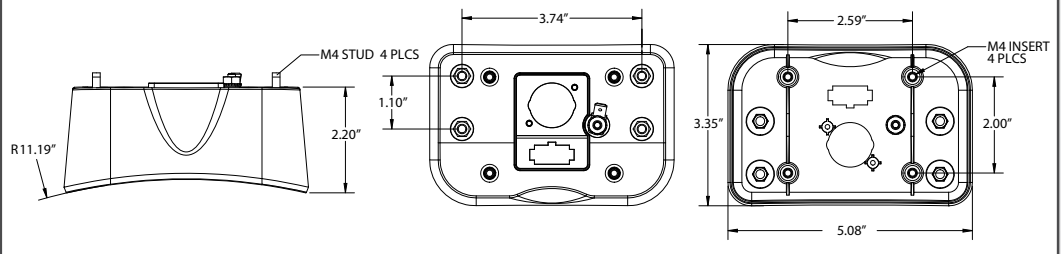
# TOPPER BASES FOR RGB POLYGON, PILL & OVAL TOPPERS



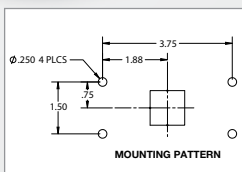
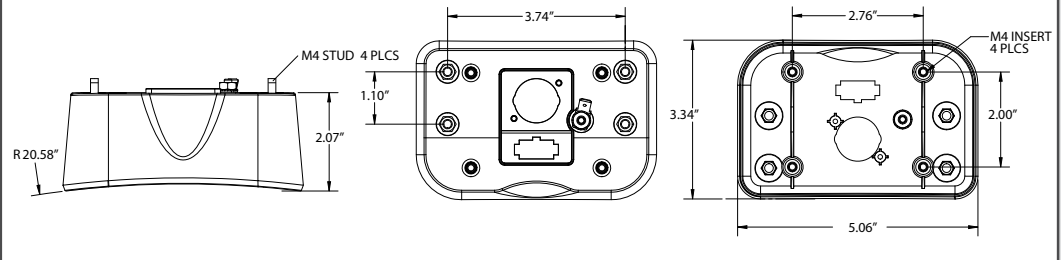
## TOPPER BASE, FLAT DIMENSIONS



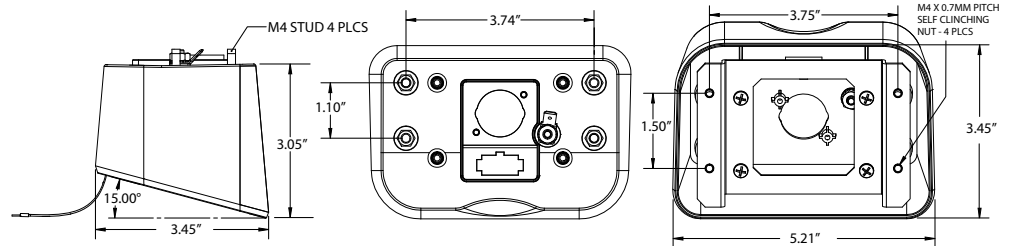
## TOPPER BASE, ROUND DIMENSIONS



## TOPPER BASE, ARCH DIMENSIONS



## TOPPER BASE, SLANT DIMENSIONS



Part Number	Description
95-2862-00	Topper Base for RGB Polygon, Pill and Oval Toppers, Flat
95-2863-00	Topper Base for RGB Polygon, Pill and Oval Toppers, Round
95-2864-00	Topper Base for RGB Polygon, Pill and Oval Toppers, Arch
95-2865-00	Topper Base for RGB Polygon, Pill and Oval Toppers, Slant



# RGB TOWER LIGHT TOPPER

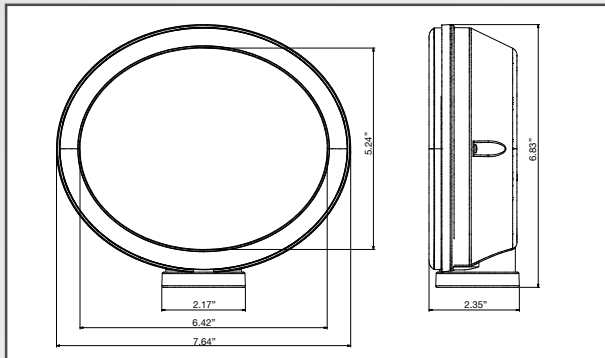


- Designed to be mounted on top of any standard round classic tower light with the included special top mounting bracket
- Works on any standard round tower light that has a diameter between 1.98" (50.29mm) and 2.00" (50.29mm)
- Great for advertising special machine features such as Multi-Denomination, Ticket-In Ticket-Out, Hot New Game, Server Based Gaming, etc.
- Translucent bezel with 20 ultra bright Nichia multi-color RGB LED's provide light output for a elegant multi-colored lightshow
- Pre-Programmed with 8 unique flashing patterns and 7 different color combinations (104-08000)
- Alternative Solid color pattern version available (104-08000-AM)
- Backlit by 9 white high power Nichia LED's
- Operates on +12vdc power
- Comes with dual sized hex thumb nut that has English (6/32" Thread) and Metric (M4 Thread) for easy installation
- Several optional base/cap adapters make it easy to use on other styles of tower lights
  - WMS Bluebird I (PR020-670-03)
  - Aristocrat Veridian (95-2860-00)
  - Bally Super Candle (95-0034-00)
- Optional power harness 11-2801-00 makes it easy to install on existing games by simply tapping into +12vdc and ground or simply use the power supply 80-0414-10 into the service outlet inside of machine
- Artwork panel and tower light are not included
- Durable flame retardant UL94 V0 ABS plastic housing
- Small in size: 7.64" W x 6.83" H x 2.34" D



\*Tower Light  
NOT Included

Part Number	Description
<b>104-08000</b>	RGB Tower Light Topper with Standard Color Patterns
<b>104-08000-AM</b>	RGB Tower Light Topper with AM Color Patterns
<b>PR020-670-03</b>	RGB Tower Light Topper Base/Cap Adapter For WMS Bluebird I Tower Light
<b>95-2860-00</b>	RGB Tower Light Topper Base/Cap Adapter For Aristocrat Veridian Tower Light
<b>95-0034-00</b>	RGB Tower Light Topper Base/Cap Adapter For Bally Super Candle
<b>80-0414-10</b>	Power Supply, +12vdc 2.5A for RGB Tower Light Topper
<b>11-2801-00</b>	Power Extension Harness Kit for RGB Tower Light Topper



STANDARD COLOR PATTERN	
1	Red-Blue-White (Default)
2	Red-White-Green
3	Red-Yellow-White
4	Blue-White-Yellow
5	Blue-Purple-White
6	Green-Blue-Yellow
7	Blue-Red-Green

AM COLOR PATTERN	
1	Red (Default)
2	Blue
3	Green
4	Yellow
5	Purple
6	Red-White
7	Blue-White



\*Tower Lights NOT Included



Adapter for WMS Bluebird I Tower Light  
PR020-670-03



Adapter for Aristocrat Veridian Tower Light  
95-2860-00



Adapter for Bally Super Candle  
95-0034-00

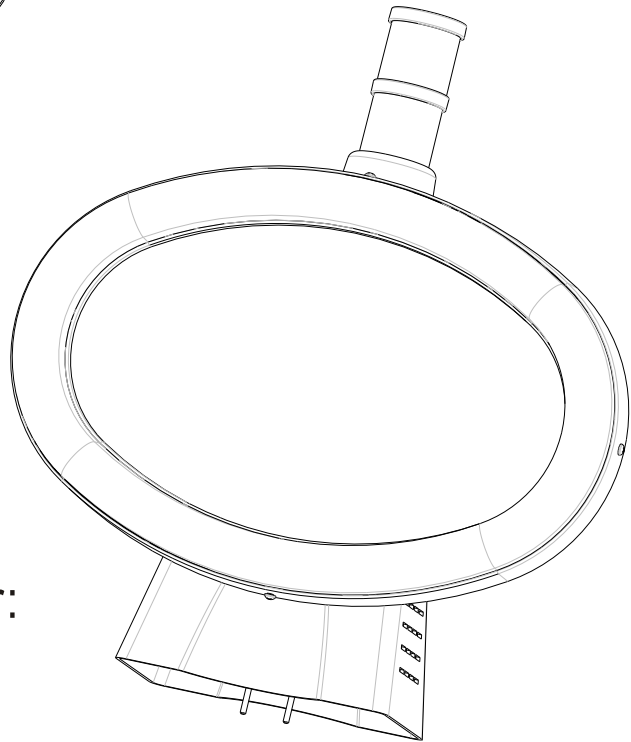
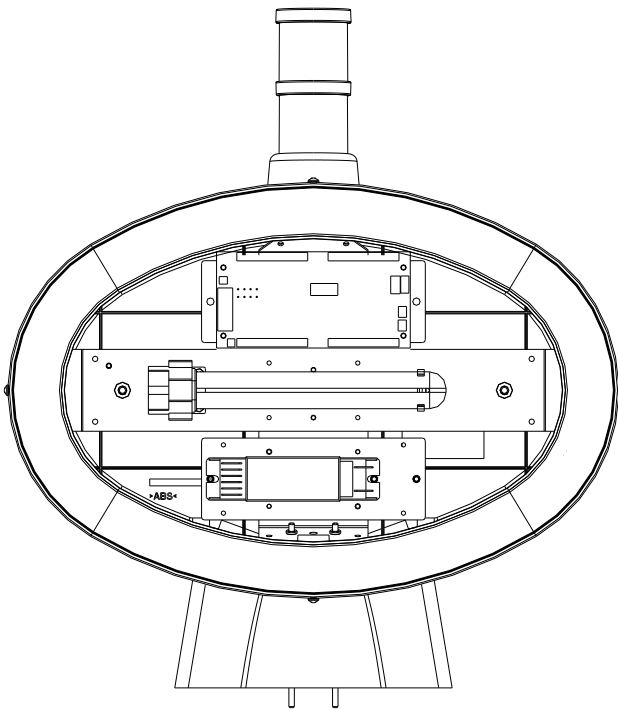


# RGB TOPPER

---



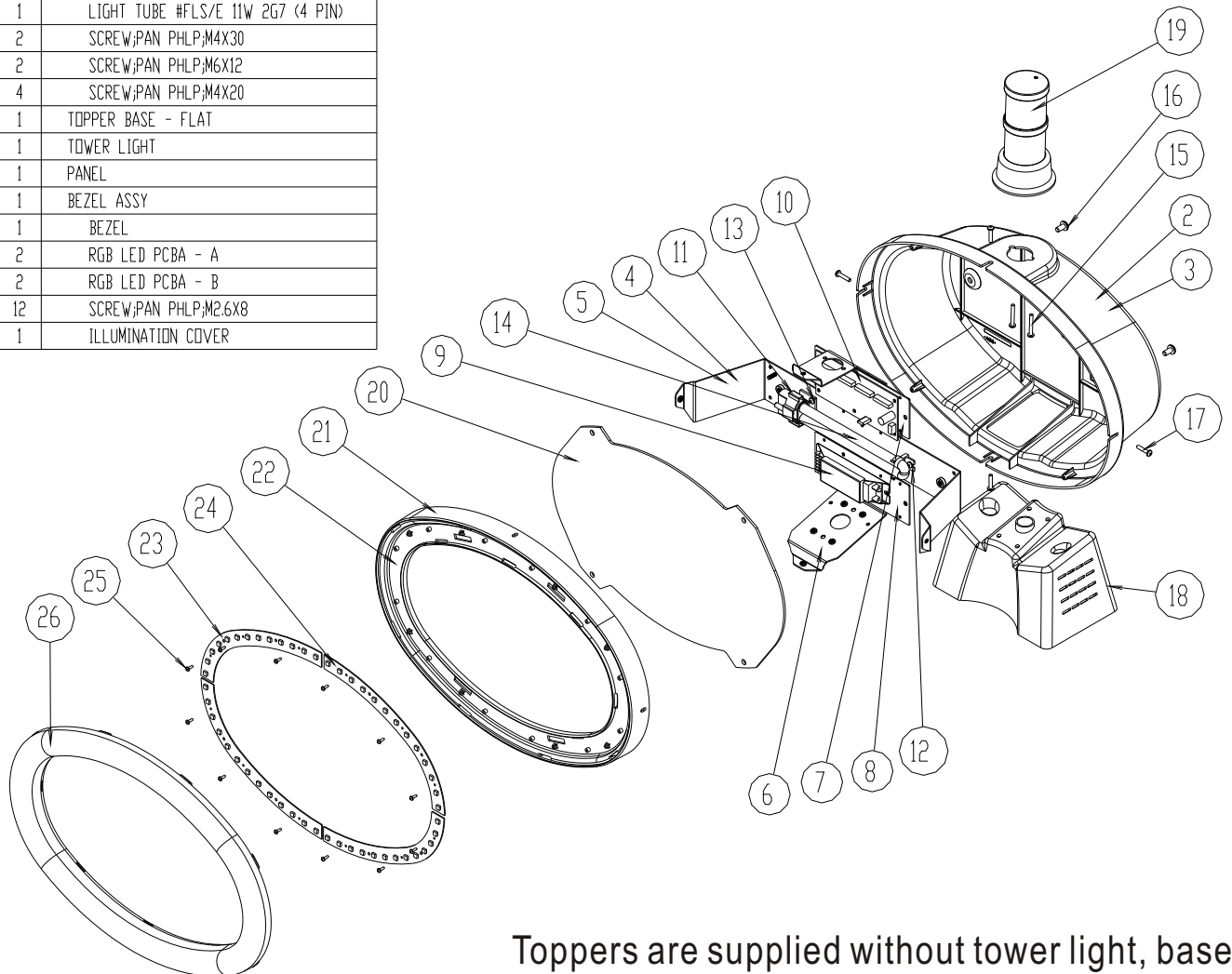
GAMING, AMUSEMENT AND INDUSTRIAL COMPONENTS



Order number for RGB Topper:  
104-06000

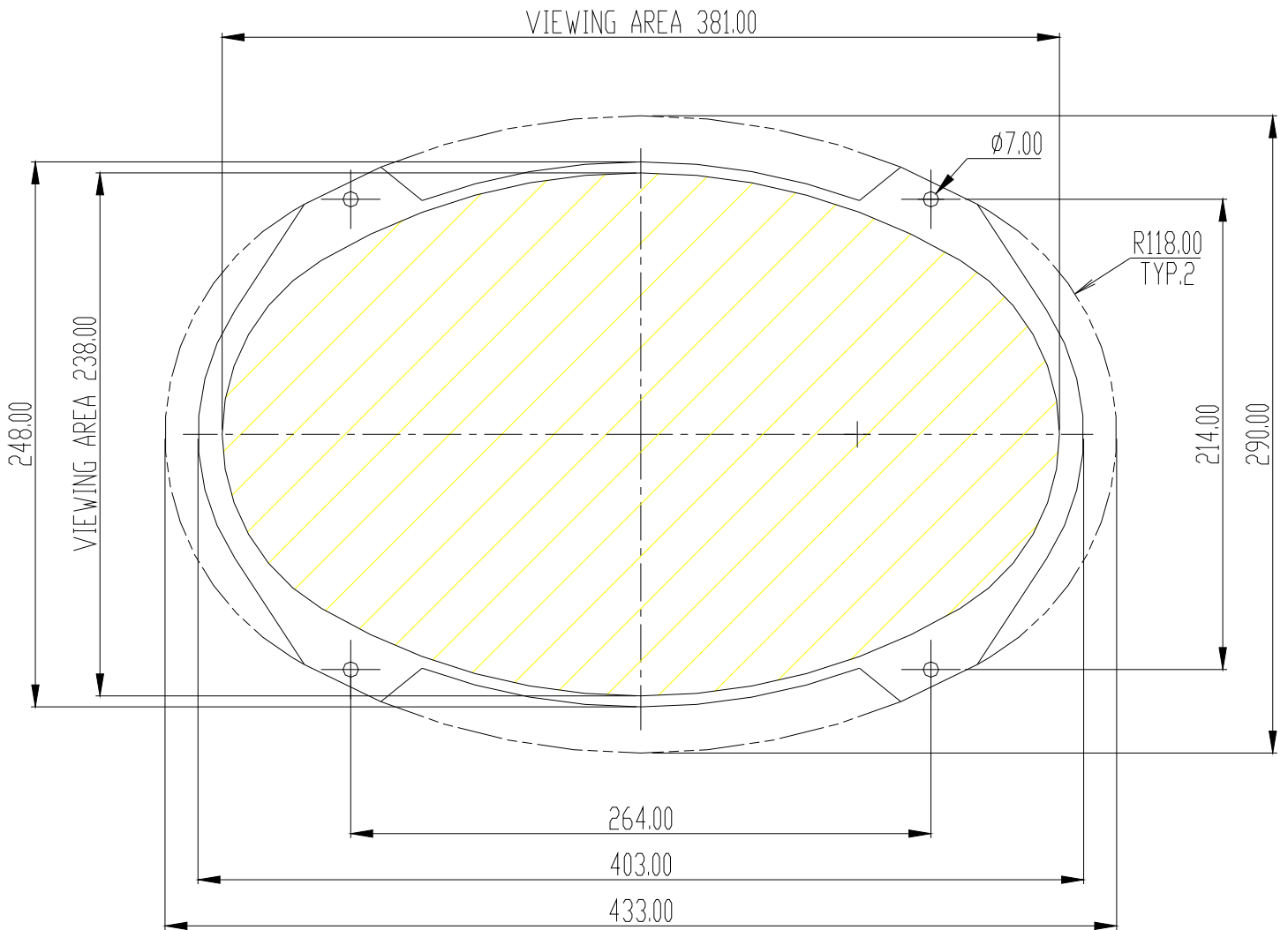
# RGB TOPPER

BILL OF MATERIAL		
ITEM	QTY	DESCRIPTION
1	1	RGB TOPPER - MINI-ELLIPSE
2	1	HOUSING ASSY
3	1	HOUSING WITH SPRAYING
4	1	METAL BRACKET ASSY
5	1	BRACKET A
6	1	BRACKET B
7	1	BRACKET C
8	1	BRACKET D
9	1	POWER TRANSFORMER (#22-0138)
10	1	MAIN PCB ASSY
11	1	LIGHT TUBE HOLDER
12	1	LIGHT MOUNT BRACKET
13	3	SCREW;PAN PHLP;M4X8
14	1	LIGHT TUBE #FLS/E 11W 2G7 (4 PIN)
15	2	SCREW;PAN PHLP;M4X30
16	2	SCREW;PAN PHLP;M6X12
17	4	SCREW;PAN PHLP;M4X20
18	1	TOPPER BASE - FLAT
19	1	TOWER LIGHT
20	1	PANEL
21	1	BEZEL ASSY
22	1	BEZEL
23	2	RGB LED PCBA - A
24	2	RGB LED PCBA - B
25	12	SCREW;PAN PHLP;M2.6X8
26	1	ILLUMINATION COVER



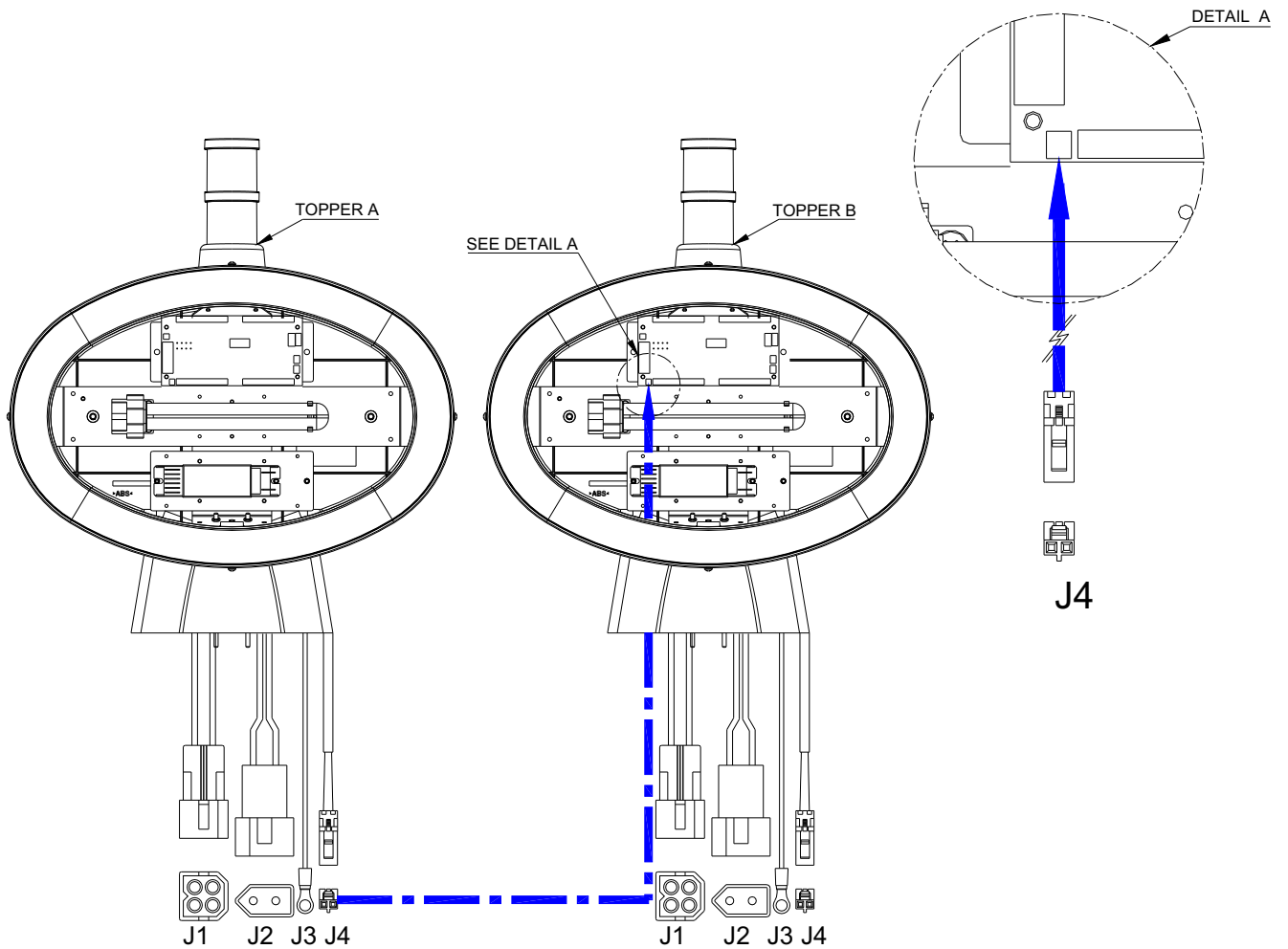
Toppers are supplied without tower light, base and artwork plate. There are various options for tower light and topper base. Please refer to General Catalogue for detail.

# RGB TOPPER



Drawing of front panel

# RGB TOPPER



## WIRE CONNECTION

NO	WIRE COLOR	DESCRIPTION	PIN	TOPPER CONNECTOR TYPE	MACHINE CONNECTOR TYPE
J1	BLACK	COMMON TOWERLIGHT	1	03-09-2049	
	YELLOW	LAMP 2ND FROM BOTTOM	2		
	WHITE	LAMP BOTTOM	3		
	BLUE	LAMP 3TH FROM BOTTOM	4		
J2	ORANGE	POWER 12VDC	1	03-09-2022	
	BLACK	POWER GROUND	2		
J3	TINNED STRAP	EARTH BONDING STRAP	-	-	RING TERMINAL 4mm
J4	BLACK	GROUND	1		
	WHITE	TXD/RXD	2		

IMPORTANT: 1>SHUT-OFF THE POWER FROM THE HOST MACHINE UNTIL ANY  
INSTALLATION WORK IS COMPLETED  
2>POWER SUPPLY MUST BE 12VDC,2 AMP.



# RGB TOPPER

## Setting colour for RGB Topper

You may select colours of flashing on the illumination cover out of the seven pre-set combination. Every time the COLOUR button on the main control board was triggered, the topper will switch to next colour set. Seven colour sets were defined as follow:

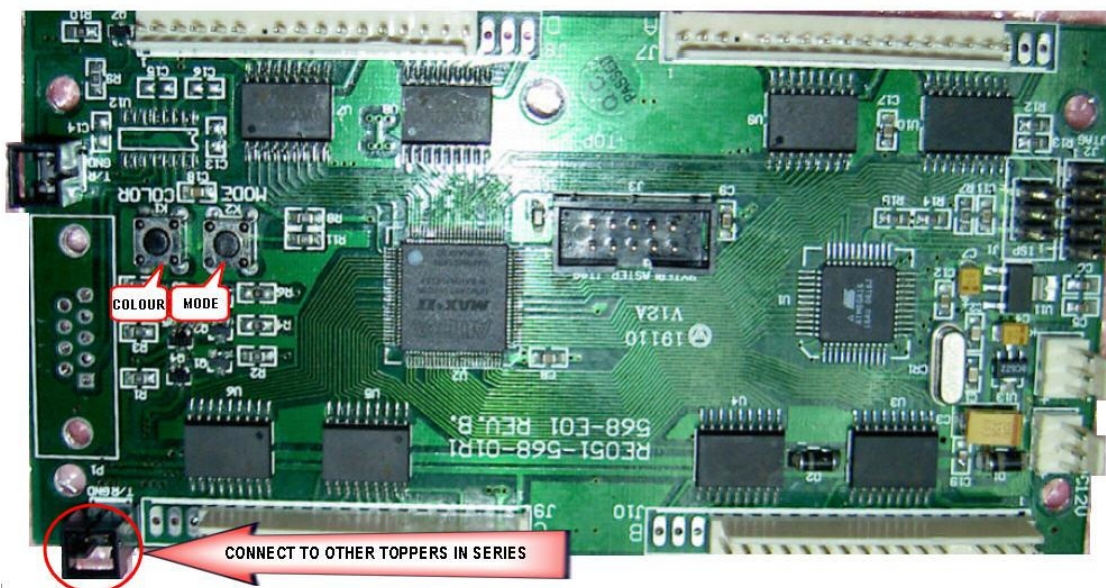
1. Red - Blue - White (Default setting)
2. Green - White - Red
3. White - Yellow - Red
4. Yellow - White - Blue
5. Blue - Purple - White
6. Green - Blue - Yellow
7. Green - Red - Blue

## Setting flashing pattern for RGB Topper

Once powered up, Topper will light up and cycle through seven pre-programmed flashing patterns. You can switch to next flashing pattern by pressing MODE button once.

## Toppers connected in series

If Toppers are connected in series, you can perform above setting on any one of the toppers in series. Press MODE button once, all toppers in series will be synchronized in same colour set and flashing pattern.



Topper  
Control  
Board

# RGB TOPPER

Ballast, 22-0138, used on RGB topper complies with UL and CE regulations.

You may search UL certificate information through website <http://database.ul.com> with with UL file no. E309359

**ATC**<sup>®</sup>

**CERTIFICATE**  
of Conformity  
EC Council Directive 73/23/EEC  
as last amended by EC Directive 93/68/EEC  
Low Voltage Directive

Registration No.: ATS2005328 002


Applicant: Dynamics Chinatex Industries (HK) Ltd.  
809-810 Block A, Hoi Luen Ind. Ctr.55, Hoi Yuen Road, Kwun Tong  
Kowloon, Hong Kong

Product: DC Electronic Ballast


Identification: Model No. : 22-0138  
Serial No. : n.a.  
Rating : 22-0138: DC12V, 11W

Standards: EN 61347-1:2001  
EN 61347-2-4:2001

The certificate of conformity is based on an evaluation of a sample of the above-mentioned product. Technical report and documentation are at the applicant's disposal. This is to certify that the tested sample is in conformity with all provisions of Annex I of Council Directive 73/23/EEC, in its latest amended version, referred to as the Low Voltage Directive. This certificate does not imply assessment of the production and does not permit the use of ATC's logo. The applicant of the certificate is authorized to use this certificate in connection with the EC declaration of conformity according to Annex III of the Directive.

Certified by  
  
Sam Dong

November 14, 2005  
Date



The CE Marking may only be used if all relevant and effective EC Directives are complied with.

**CE** **CE**

ACCURATE TECHNOLOGY CO. LTD - F1, Bldg. A, Changyuan New Material Port, Keyuan Rd.  
Science & Industry Park, Nanshan Dist., Shenzhen 518057, P.R. China  
Tel.: +86-755-2650 3290 Fax: +86-755-2650 3396 E-mail: webmaster@atc-lab.com

**ATC**<sup>®</sup>

**CERTIFICATE**  
of Conformity  
EC Council Directive 89/336/EEC  
as last amended by EC Directive 93/68/EEC  
Electromagnetic Compatibility

Registration No.: ATE20051871 002

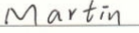
Applicant: Dynamics Chinatex Industries (HK) Ltd.  
809-810 Block A, Hoi Luen Ind. Ctr.55 Hoi Yuen Road, Kwun Tong,  
Kowloon, Hong Kong.

Product: DC Electronic Ballast


Identification: Model No. : 22-0138  
Serial No. : n.a.

Standards: EN 55015: 2000 + A1: 2001 + A2: 2002  
EN 61547:1995+2000

The certificate of conformity is based on an evaluation of a sample of the above-mentioned product. Technical report and documentation are at the applicant's disposal. This is to certify that the tested sample is in conformity with all provisions of Annex III of Council Directive 89/336/EEC, in its latest amended version, referred to EMC Directive. This certificate does not imply assessment of the production and does not permit the use of ATC's logo. The applicant of the certificate is authorized to use this certificate in connection with the EC declaration of conformity according to Article 10.1 of the Directive.

Certified by  
  
Martin Lü

Nov. 7, 2005  
Date



The CE Marking may only be used if all relevant and effective EC Directives are complied with.

**CE** **CE**

ACCURATE TECHNOLOGY CO. LTD - F1, Bldg. A, Changyuan New Material Port, Keyuan Rd.  
Science & Industry Park, Nanshan Dist., Shenzhen 518057, P.R. China  
Tel.: +86-755-2650 3290 Fax: +86-755-2650 3396 E-mail: webmaster@atc-lab.com

**Note:** The specifications and information contained here are for quick reference only and are subject to change without notice. For detail product specification, please refer to formal product documentation.